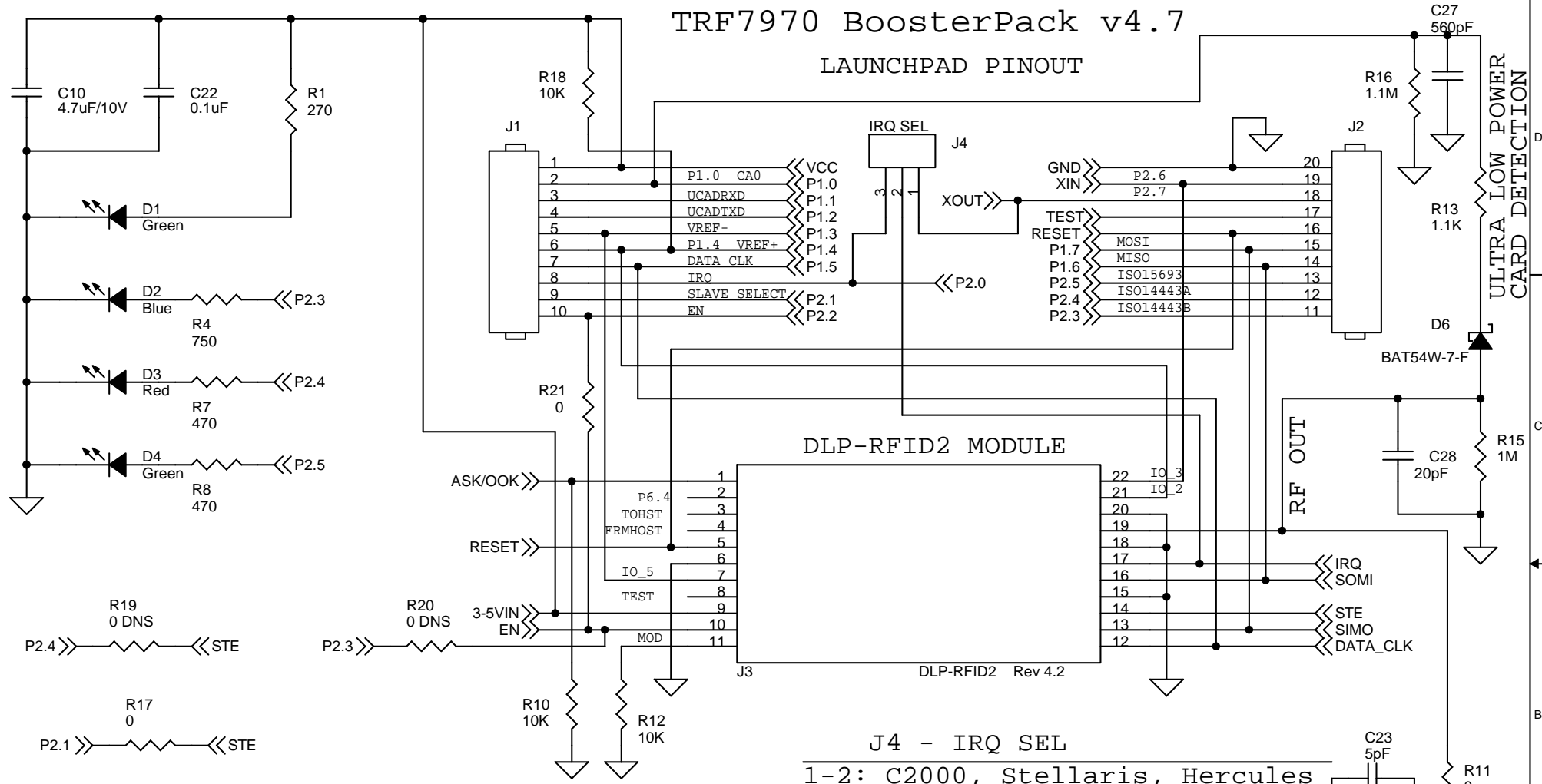


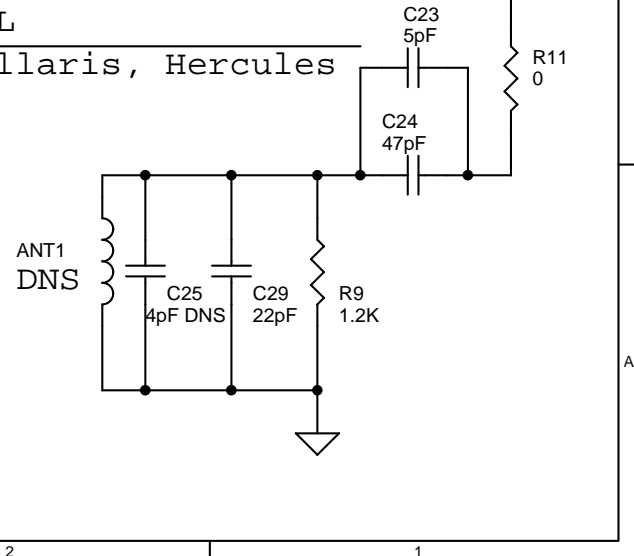
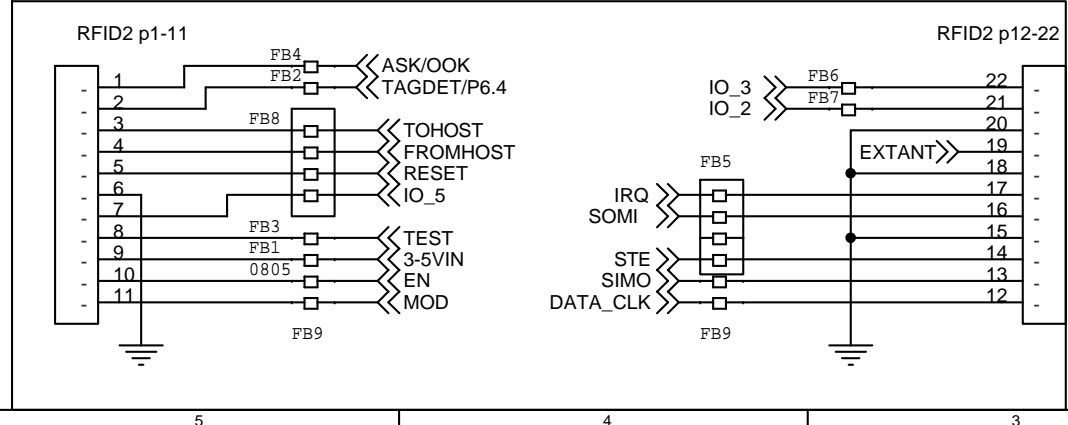
TRF7970 BoosterPack v4.7

LAUNCHPAD PINOUT

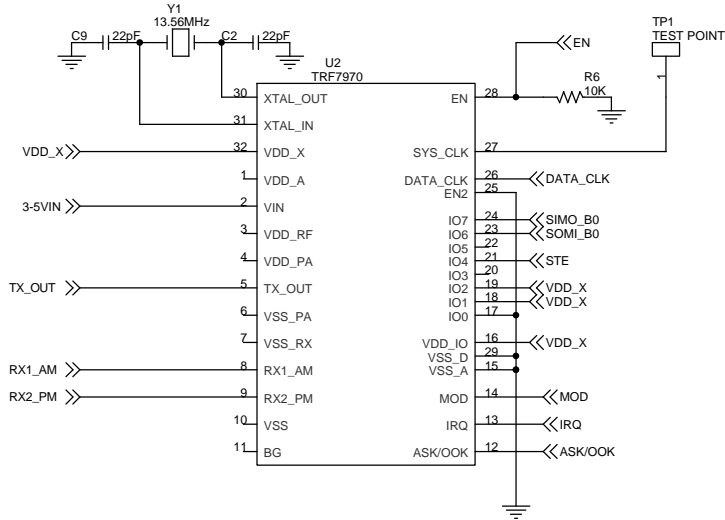
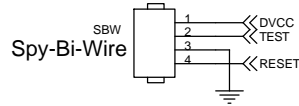
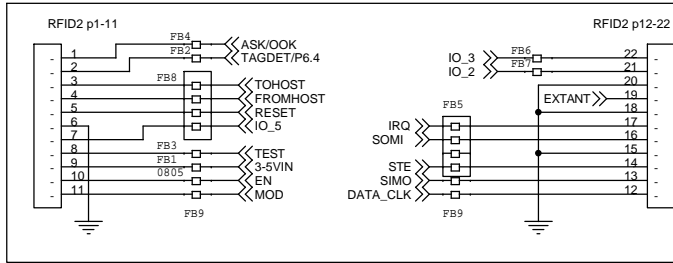


ULTRA LOW POWER
CARD DETECTION

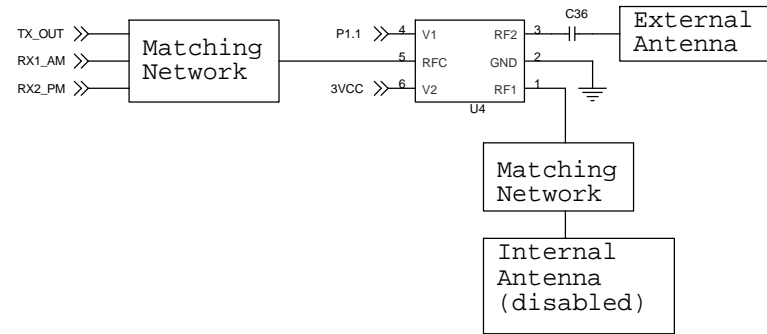
J4 - IRQ SEL
1-2: C2000, Stellaris, Hercules
2-3: MSP430



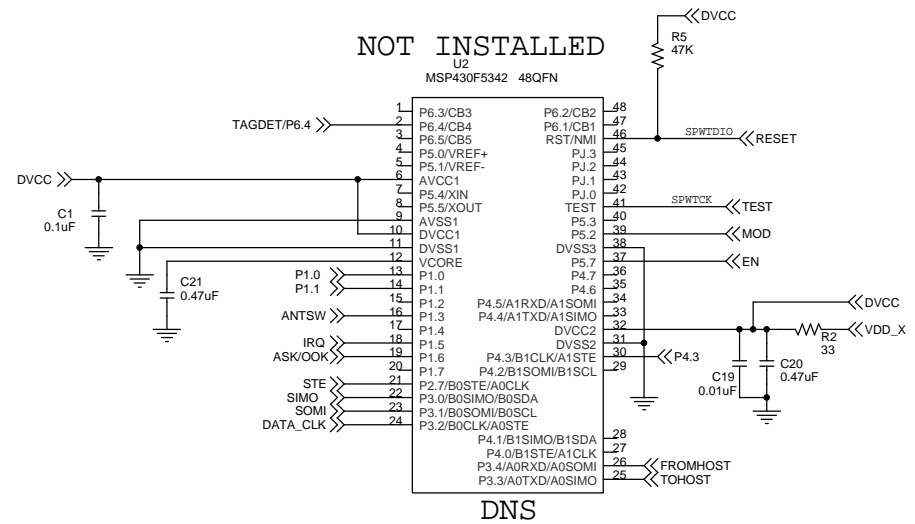
DLP-RFID2 v4.2 For
BoosterPack



Port Pin P1.1:
High = RF1 = Internal Antenna
Low = RF2 = External Antenna



This micro is not installed for the
DLP-7970ABP. The micro on the LaunchPad
is used to operate the TRF7970A on the
BoosterPack.



DNS